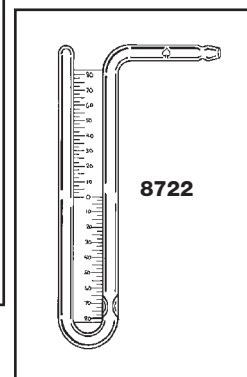
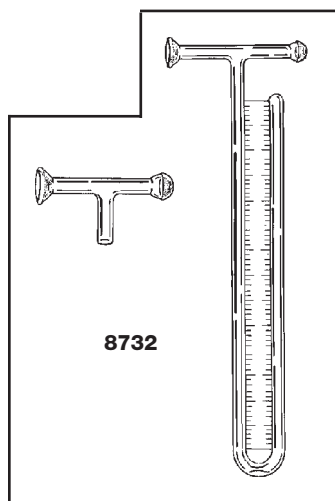


# 8718/8722/8732

## MERCURY

### Filling Instructions

1. Attach a "T" to the manometer if required (8732).
2. Attach a hose and a 3-way stopcock from a "T" leg to a vacuum pump capable of evacuating to  $10^{-2}$  Torr or better (most pumps are capable of  $10^{-4}$ ).
3. Attach a flask containing Ca. 50 ml Hg to the remaining "T" leg so that the mercury does not run out.
4. Evacuate in this position (approx. 15 minutes).
5. Invert the manometer and allow mercury to run into the lumen while partially laying the manometer on its side and manipulate.
6. Fill the entire lumen and then, with the manometer in normal vertical position and the pump "T" leg facing up, slowly "drain" mercury back into the flask by tilting until the mercury in the lumen seeks its own level and both legs are 1/2 full.
7. Turn the 3-way stopcock shutting off the pump and opening the system to atmospheric pressure. **CAUTION!!** If this is done rapidly, the mercury can knock off the end of the manometer. The mercury in the closed leg will fill the void and the open leg will be about 1/4 full.
8. Disconnect the flask and attach the joint of the "T" to the operating system.
9. When reevacuated, the difference in height between the 2 legs will indicate the absolute operating pressure.



**ACE GLASS INCORPORATED**

P.O. Box 688 • Vineland, NJ 08362-0688 • 856-692-3333 • Fax: 1-800-543-6752

TOLL-FREE: 1-800-223-4524

[www.aceglass.com](http://www.aceglass.com) e-mail: [sales@aceglass.com](mailto:sales@aceglass.com)