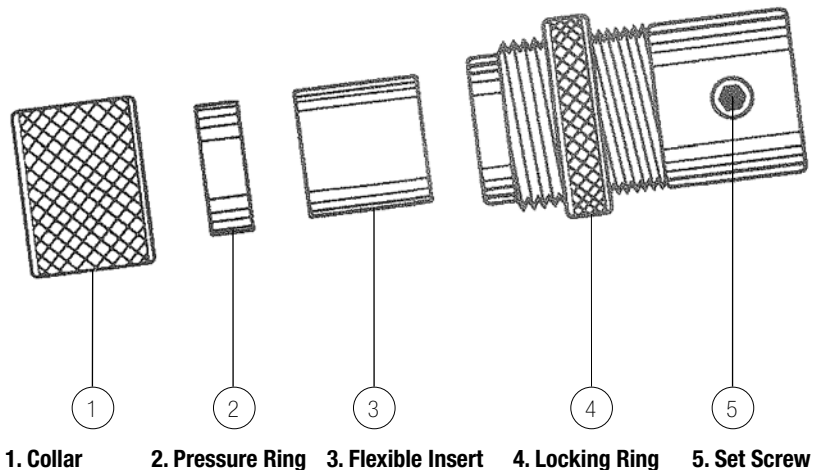


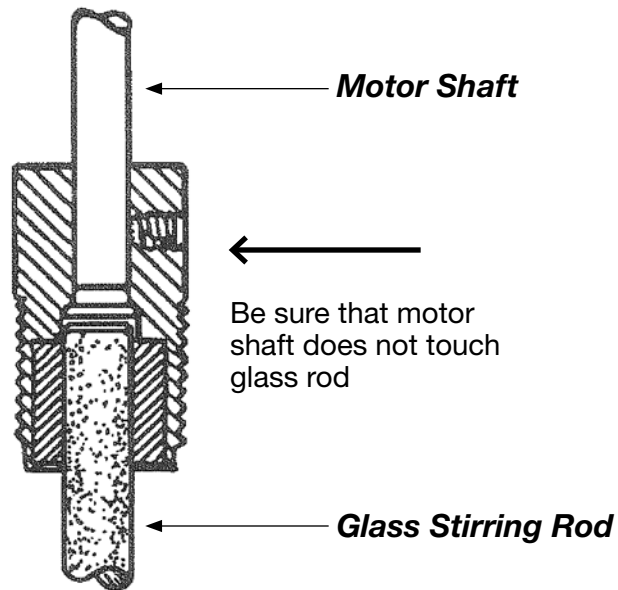
FLEX GRIP CHUCK

Catalog No. 8124 INSTRUCTION SHEET



Insert rod to full depth, then withdraw approximately 2 mm for movement of rod due to misalignment. Tighten collar, and lock in position with locking ring. Make certain that pressure ring is always inserted with enlarged counter bore facing collar.

It is undesirable to completely remove the collar — merely relieve tension until collar is loose, and rod can be pulled out of chuck.



 **ACE GLASS INCORPORATED**

P.O. Box 688 • Vineland, NJ 08362-0688 • 856-692-3333 • Fax: 856-692-8919

TOLL-FREE: 1-800-223-4524 • FAX: 1-800-543-6752

www.aceglass.com email: sales@aceglass.com